

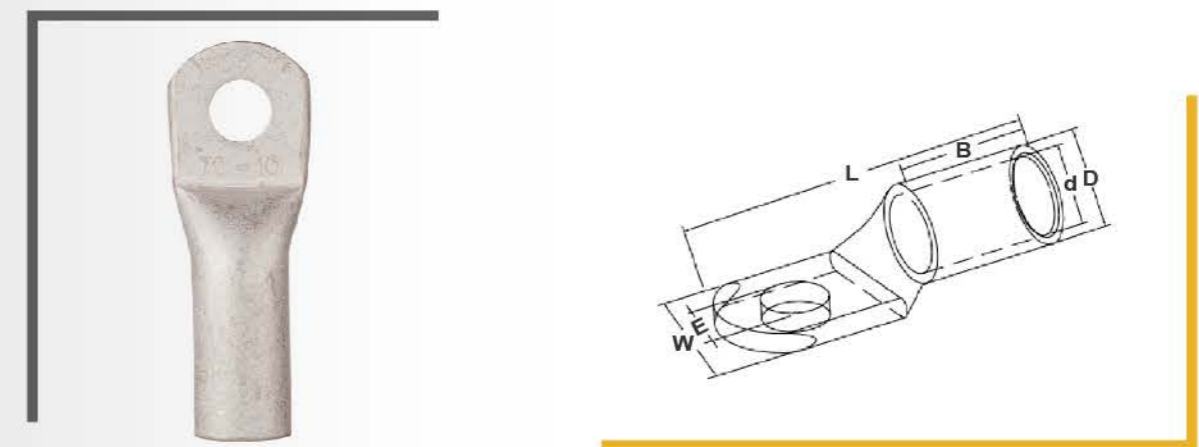
ITEM NO	DIMENSIONS					
	øE	ΦD	Φd	W	B	L
GC185-10	10.3	23	19	34	30	73
GC185-12	12.7	23	19	34	30	73
GC185-14	14.8	23	19	34	30	73
GC185-16	16.5	23	19	34	30	76.2
GC185-20	20.9	23	19	34	30	76.2
GC240-10	10.3	26.5	21	38.6	38	91.4
GC240-12	12.7	26.5	21	38.6	38	91.4
GC240-14	14.8	26.5	21	38.6	38	91.4
GC240-16	16.5	26.5	21	38.6	38	91.4
GC240-20	20.9	26.5	21	38.6	38	91.4
GC300-12	12.7	30	24.5	43.8	42	98
GC300-14	14.8	30	24.5	43.8	42	98
GC300-16	16.5	30	24.5	43.8	42	98
GC300-20	20.9	30	24.5	43.8	42	98
GC400-12	12.7	35	27	49	44	104
GC400-14	14.8	35	27	49	44	104
GC400-16	16.5	35	27	49	44	104
GC400-20	20.9	35	27	49	44	104

铜管端子 — DIN 加长加厚型铜管端子

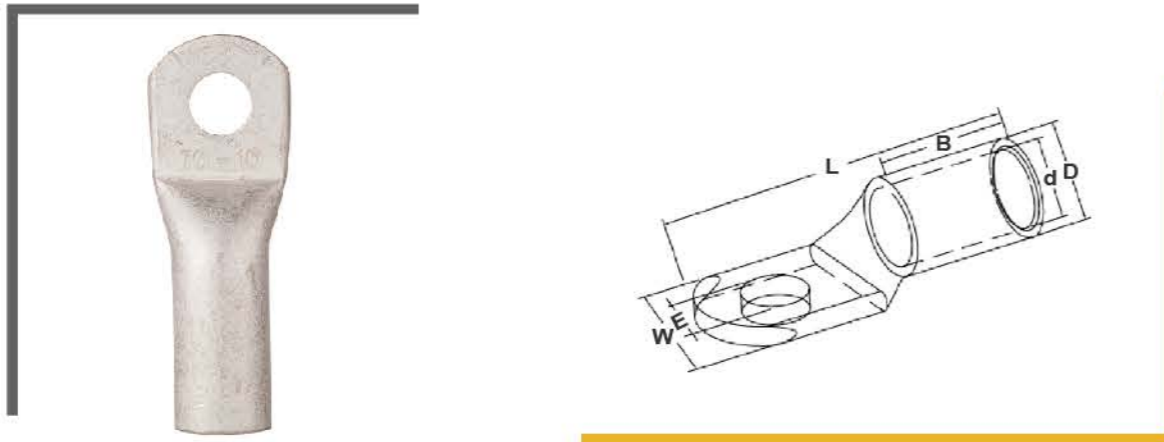
适用于铜电缆

DIN Series Lugs are manufactured from 99.95% oxygen-free high conductivity copper tube and are electro tinned.

According to DIN46235 standard.



ITEM NO	DIMENSIONS					
	øE	ΦD	Φd	W	B	L
DIN6-5	5.3	5.5	3.8	8.5	10	30.5
DIN6-6	6.4	5.5	3.8	8.5	10	31.5
DIN6-8	8.4	5.5	3.8	13	10	34
DIN10-5	5.3	6	4.5	9	10	34
DIN10-6	6.4	6	4.5	9	10	34.5
DIN10-8	8.4	6	4.5	13	10	37
DIN10-10	10.5	6	4.5	15	10	39
DIN16-6	6.4	8.5	5.5	13	20	43.5
DIN16-8	8.4	8.5	5.5	13	20	46
DIN16-10	10.5	8.5	5.5	17	20	48
DIN16-12	13	8.5	5.5	18	20	49
DIN25-6	6.4	10	7	14	20	45.5
DIN25-8	8.4	10	7	16	20	48
DIN25-10	10.5	10	7	17	20	50
DIN25-12	13	10	7	19	20	51



ITEM NO	DIMENSIONS					
	øE	ΦD	Φd	W	B	L
DIN35-6	6.4	12.5	8.2	17	20	49.5
DIN35-8	8.4	12.5	8.2	17	20	52
DIN35-10	10.5	12.5	8.2	19	20	54
DIN35-12	13	12.5	8.2	21	20	55
DIN35-14	15	12.5	8.2	21	20	56.5
DIN50-8	8.4	14.5	10	20	28	62
DIN50-10	10.5	14.5	10	22	28	64
DIN50-12	13	14.5	10	24	28	65
DIN50-14	15	14.5	10	24	28	66.5
DIN50-16	17	14.5	10	28	28	68
DIN70-8	8.4	16.5	11.5	24	28	65
DIN70-10	10.5	16.5	11.5	24	28	67
DIN70-12	13	16.5	11.5	24	28	68
DIN70-14	15	16.5	11.5	24	28	69.5
DIN70-16	17	16.5	11.5	30	28	71
DIN95-8	8.4	19	13.5	28	35	77
DIN95-10	10.5	19	13.5	28	35	77
DIN95-12	13	19	13.5	28	35	78
DIN95-14	15	19	13.5	28	35	79.5
DIN95-16	17	19	13.5	32	35	81
DIN120-10	10.5	21	15.5	32	35	85
DIN120-12	13	21	15.5	32	35	86
DIN120-14	15	21	15.5	32	35	88
DIN120-16	17	21	15.5	32	35	89
DIN120-20	21	21	15.5	38	35	91

ITEM NO	DIMENSIONS					
	øE	ΦD	Φd	W	B	L
DIN150-10	10.5	23.5	17	34	35	93
DIN150-12	13	23.5	17	34	35	94
DIN150-14	15	23.5	17	34	35	97
DIN150-16	17	23.5	17	34	35	97
DIN150-20	21	23.5	17	40	35	99
DIN185-10	10.5	25.5	19	37	40	97
DIN185-12	13	25.5	19	37	40	98
DIN185-14	15	25.5	19	37	40	101
DIN185-16	17	25.5	19	37	40	101
DIN185-20	21	25.5	19	40	40	103
DIN240-12	13	29	21.5	42	40	108
DIN240-14	15	29	21.5	42	40	111
DIN240-16	17	29	21.5	42	40	111
DIN240-20	21	29	21.5	45	40	113
DIN300-12	13	32	24.5	46	50	119
DIN300-14	15	32	24.5	46	50	119
DIN300-16	17	32	24.5	46	50	119
DIN300-20	21	32	24.5	46	50	122
DIN400-14	15	38.5	27.5	55	70	140
DIN400-16	17	38.5	27.5	55	70	140
DIN400-20	21	38.5	27.5	55	70	140
DIN500-16	17	42	31	60	70	150
DIN500-20	21	42	31	60	70	150
DIN625-16	17	44	34.5	64	80	160
DIN625-20	21	44	34.5	64	80	160
DIN800-16	17	52	40	75	100	195
DIN800-20	21	52	40	75	100	195
DIN1000-16	17	58	44	85	100	195
DIN1000-20	21	58	44	85	100	195